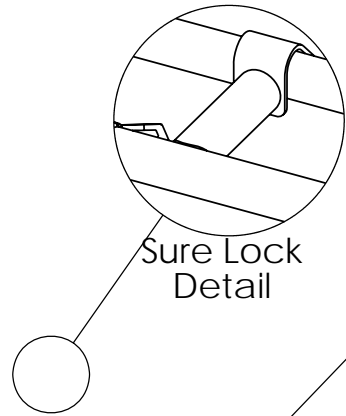
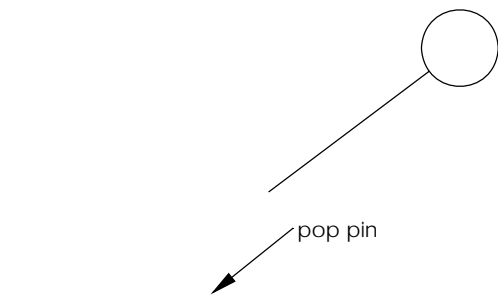
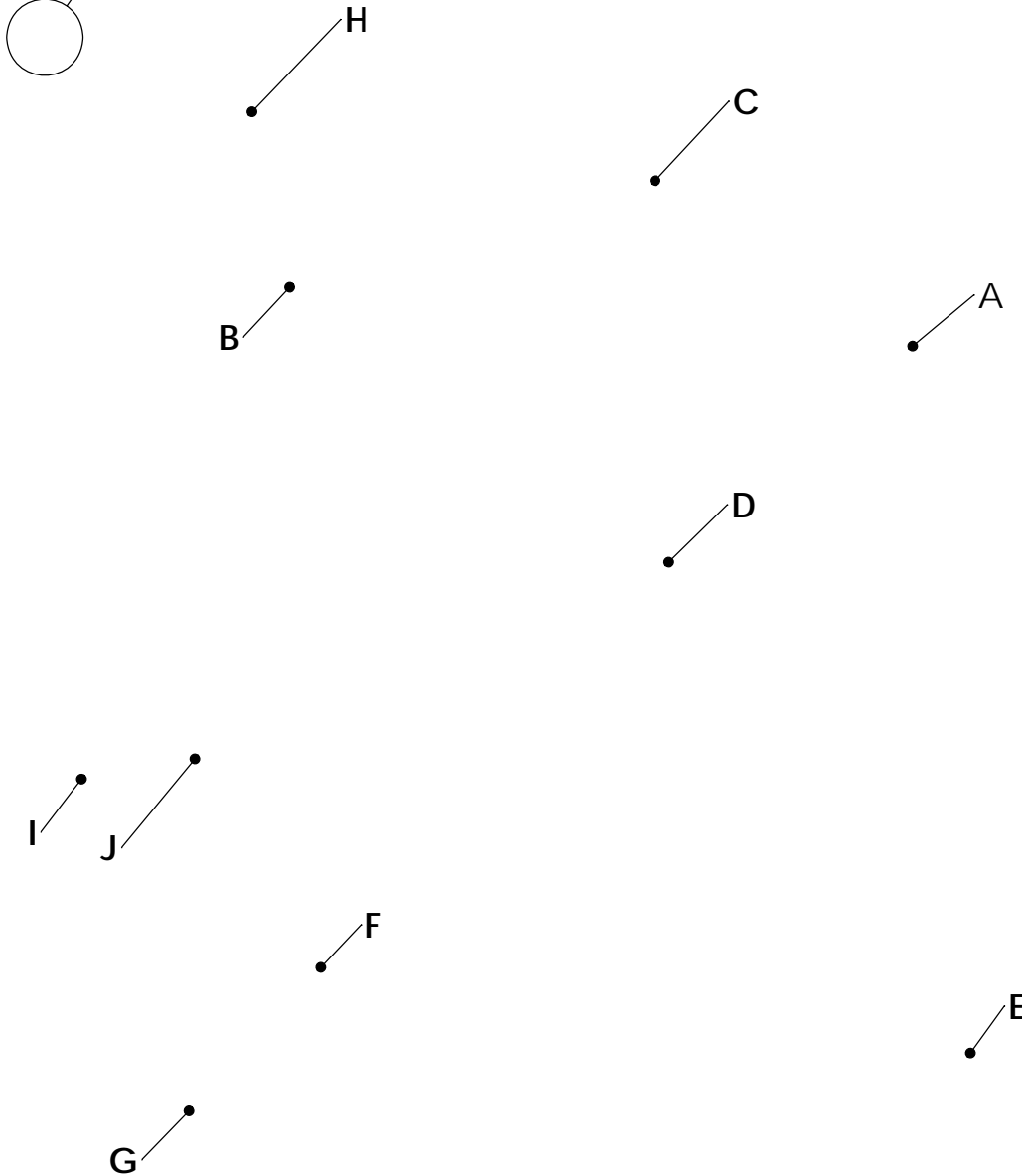


Quick Lock Connector Detail



Sure Lock Detail



Snap fit Connector Detail

**Parts List:**

For one unit shown:

(3503) Vertical Curved Back Wall:

- A- (2) 100.73" long curved bar w/ 2 quick lock connector attached
- B- (1) 98.50" long curved bar
- C- (2) 111.17" long straight w/ quick lock connector attached to middle
- D- (1) 111.17" long straight
- E- (2) 20.34" long straight bar w/ rubber feet
- (1) Fabric cover
- (1) Drop cloth

(3531) Curved Stand off:

- F- (2) 98.50" long curved bar
- G- (1) 31.50" long straight bar w/ connectors
- H- (1) 31.50" long straight bar w/ connectors & sure lock assembly attached
- (1) Rollable Lambda Graphic w/ Velcro (if included)

(3557) Standoff Shelf:

- I- (1) 31.50" long straight bar w/ shelf assembly attached
- J- (1) 11" x 28" clear table top
- (2) Quick lock connectors

**Assembly Instructions:**

See Back Side

WARNING: Hanging system and structure are designed For: (1) indoor use only and (2) to hold the weight of the structure and fabric cover only. No other loads should be applied to this display system.

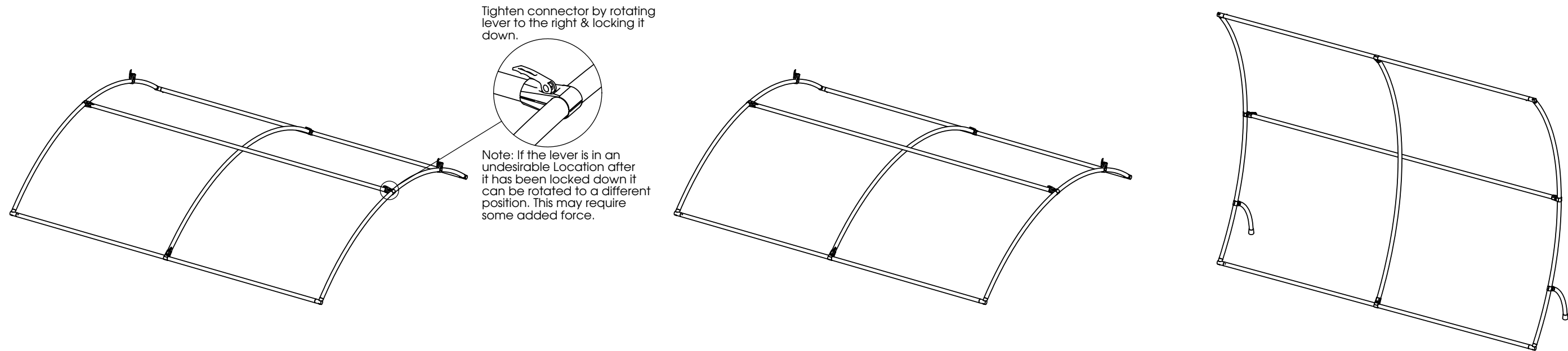
(3503) 8' x 10' Vertical Curve Wall

(3531) Curved Stand off

(3557) Stand off Shelf

ENTASI





### 1. Build Back Wall frame on flat Floor Face Down

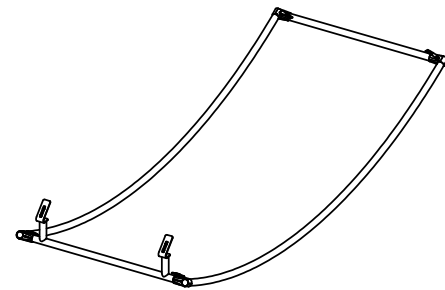
- \* Snap fit all shock corded parts before assembly.
- \* Snap fit together (2) 111.71" straight bars w/ connectors in middle & (2) 100.73" curved bars w/ 2 connectors attached, to make outer frame.
- \* Secure (1) 98.50" long curved cross bar & (1) 111.71" straight cross bar using connectors attached to outer frame.
- \* Assure that straight cross bar passes above curved cross bar
- \* Make sure connectors **ARE LOCKED TIGHT**.

### 2. Zip Cover over Frame

- \* Graphic is on concave (inside) of curve.
- \* Properly POSITION ALL CORNERS before zipping closed.
- \* Make adjustments in cover position with wall laying flat & cover unzipped.
- \* To avoid wearing holes in the fabric cover - DO NOT DRAG WALL.

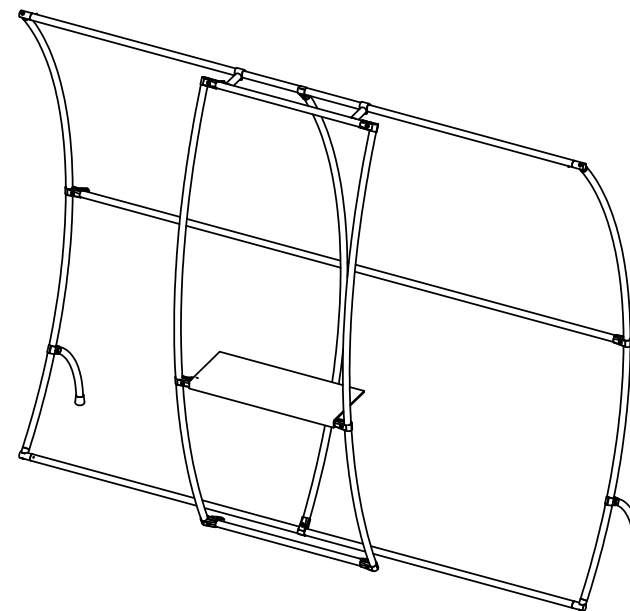
### 3. Add legs & lift wall Upright

- \* Secure foot bar to frame thru openings in cover using connector attached to frame.
- \* **Lift wall from middle of top bar**, If wall twists, lay flat on ground, correct shape, and re-lift.
- \* Remove any small wrinkles with a hand steamer.



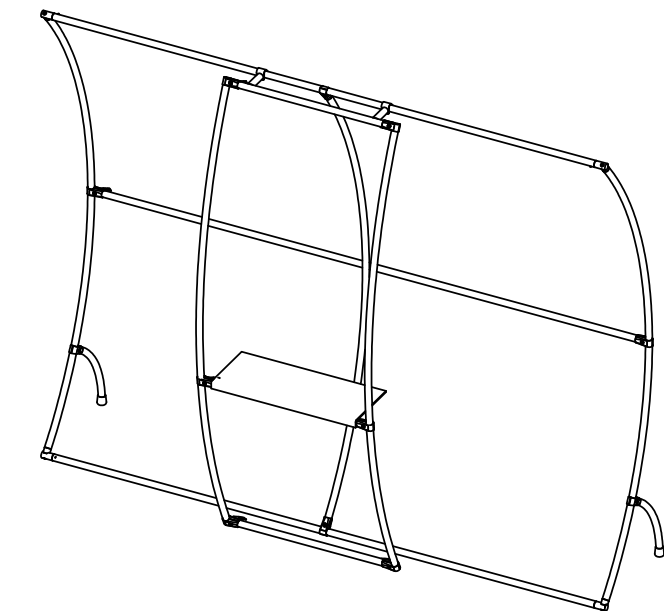
### 4. Build stand off frame on flat Floor Face Down

- \* Attach (2) 98.50" curved bars to (1) 31.50" straight bar. Assure curved bars are **parallel** to each other.
- \* Secure (1) 31.50" straight bar with Sure lock assembly to top of stand off. **Lock connectors tight**
- \* Apply rollable lambda graphic to back side of bars (if included).



### 5. Hang Standoff on Back Wall

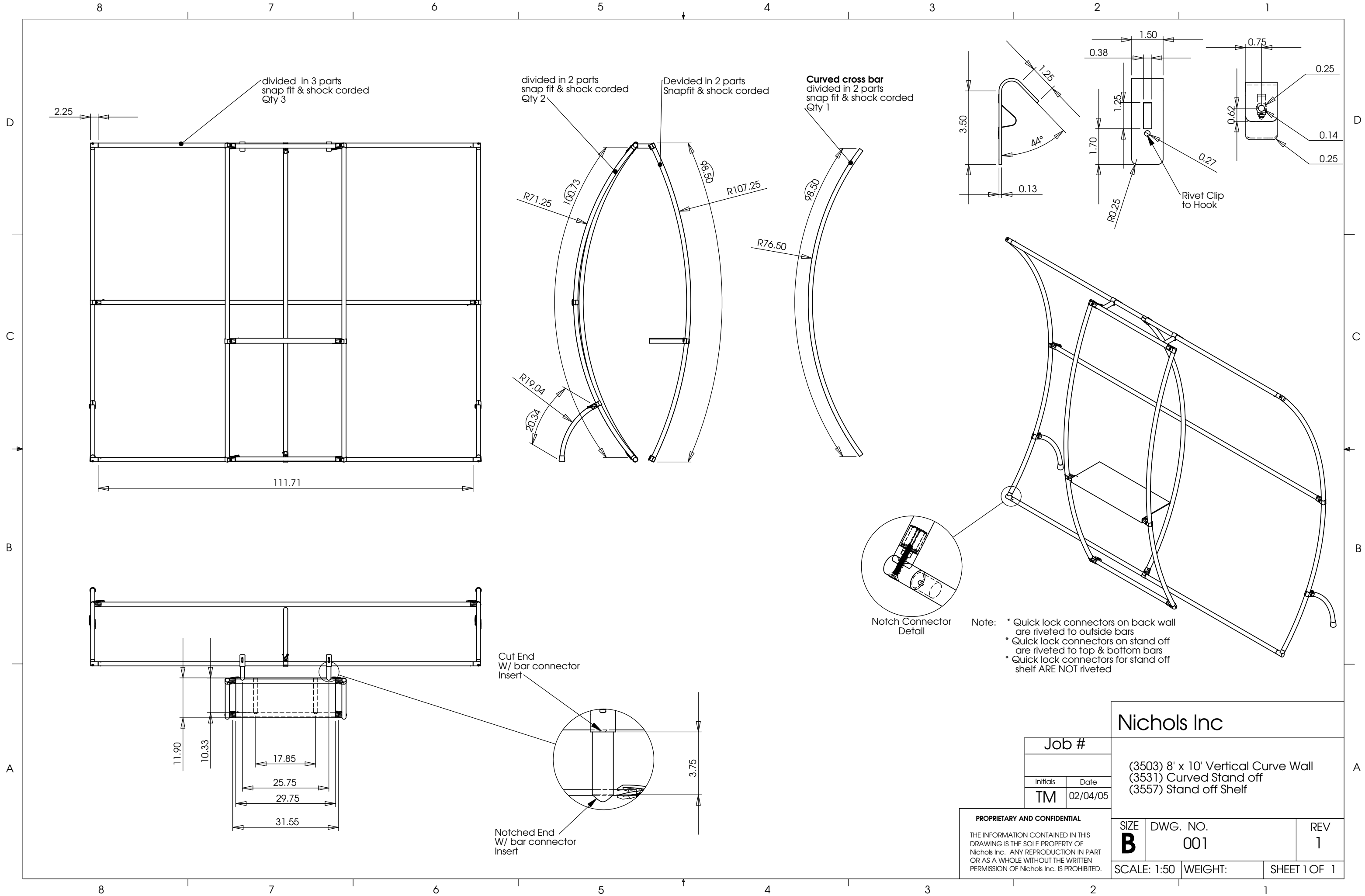
- \* Secure stand off to back wall. **Top bar on stand off must be parallel to top bar on back wall to assure a correct fit.**
- \* Sure lock connectors go over top of back wall and clips over fabric
- \* Adjust standoff height by loosening top and/or bottom stand off connectors and changing vertical height.
- \* Make sure connectors ARE LOCKED TIGHT.



### 6. Add Shelf to Wall

- \* Shelf connectors clamp over side bars of stand off. Loosen connector to fit over bar. Rest acrylic on top of shelf bars.
- \* **LOCK SHELF CONNECTORS TIGHT!**

Not Enough Parts - See parts list on front page  
 Fabric Cover Not Fit - Assure all 4 corners of cover are positioned over frame corners before starting to zip cover closed.  
 Hard to adjust cover - Cover position on frame is easily adjusted when cover is NOT ZIPPED. It is easiest to adjust cover by pulling on un-zipped sides of fabric.  
 Frame mis-shaped - Make sure connectors are very tight. Frame warp can be easily corrected by laying structure flat face down on the floor and lifting upright from both sides.  
 Wrinkles in cover - Use a hand steamer to remove small wrinkles. Adjust cover position for large wrinkles.



Job #		Nichols Inc		
		(3503) 8' x 10' Vertical Curve Wall (3531) Curved Stand off (3557) Stand off Shelf		
Initials	Date	SIZE	DWG. NO.	REV
TM	02/04/05	<b>B</b>	001	1
SCALE: 1:50		WEIGHT:		SHEET 1 OF 1


**PROPRIETARY AND CONFIDENTIAL**

THE INFORMATION CONTAINED IN THIS DRAWING IS THE SOLE PROPERTY OF Nichols Inc. ANY REPRODUCTION IN PART OR AS A WHOLE WITHOUT THE WRITTEN PERMISSION OF Nichols Inc. IS PROHIBITED.

# Structures Parts Verification & QC

Parts Description	Qty for Unit	Qty Pulled	Qty Shipped	Initials
Assembly Instructions Packet	1			
(3503) Vertical Curved Back Wall:				
(2) 100.73" long curved bar (2 segment bar snap fit & shock cord) w/ 2 quick lock connector attached				
(1) 98.50" long curved bar (2 segment bar snap fit & shock cord)				
(2) 111.17" long straight bar (3 segment bar snap fit & shock cord) w/ quick lock connector attached to middle				
(1) 111.17" long straight bar (3 segment bar snap fit & shock cord)				
(2) 20.34" long straight bar w/ rubber feet				
(1) Fabric cover				
(1) Drop cloth				
(3531) Curved Stand off:				
(2) 98.50" long curved bar (2 segment bar snap fit & shock cord)				
(1) 31.50" long straight bar w/ connectors on ends				
(1) 31.50" long straight bar w/ connectors on ends & sure lock assembly attached				
(1) Rollable Lambda Graphic w/ Velcro (if included)				
(3557) Standoff Shelf:				
(1) 31.50" long straight bar w/ shelf assembly attached				
(1) 11" x 28" clear table top				
(2) Quick lock connectors				

Notes:

Job #	(3503) 8' x 10' Vertical Curve Wall (3531) Curved Stand off (3557) Stand off Shelf
DATE:	
	
1949 S 4250 W SLC, UT 84104	www.nicholsinc.net
	Ph 800-611-1360 Fax 801-983-8704