

Parts List:

For one unit shown:

(3503) Vertical Curved Back wall:

- A- (2) 100.73" long curved bar w/ 2 quick lock connectors attached
- B- (1) 98.50" long curved bar
- C- (2) 111.17" long straight bar w/ quick lock connector attached to middle
- D- (1) 111.17" long straight bar
- E- (2) 20.34" long straight bar w/ rubber feet
- (1) Fabric cover
- (1) Drop cloth

(3534) 2 Curved Stand off:

- F- (4) 98.50" long curved bar
- G- (2) 13.50" long straight bar
- H- (2) 13.50" long straight bar w/ sure lock assembly attached
- (2) Rollable Lambda Graphic w/ Velcro (if included)

(3558) 2 Standoff Shelves:

- I- (2) 13.50" long straight bar w/ shelf assembly attached
- J- (2) 11" x 12" clear table top
- (4) Quick lock connectors

Assembly Instructions:

See Back Side

WARNING: Hanging system and structure are designed For: (1) indoor use only and (2) to hold the weight of the structure and fabric cover only. No other loads should be applied to this display system.

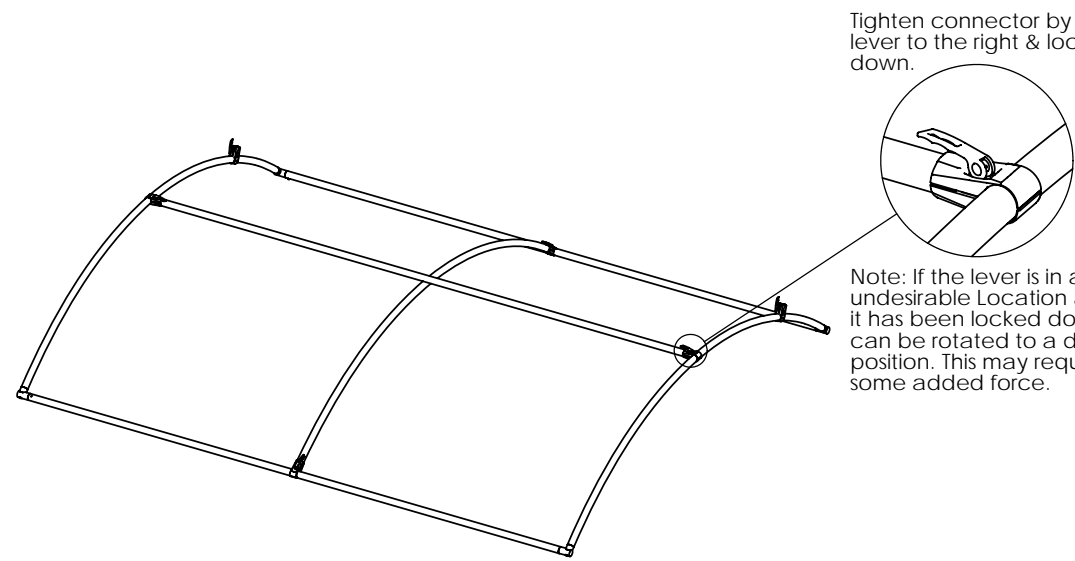
(3503) 8' x 10' Vertical Curve Wall

(3534) Curved Stand off

(3558) Stand off Shelf

ENTASI



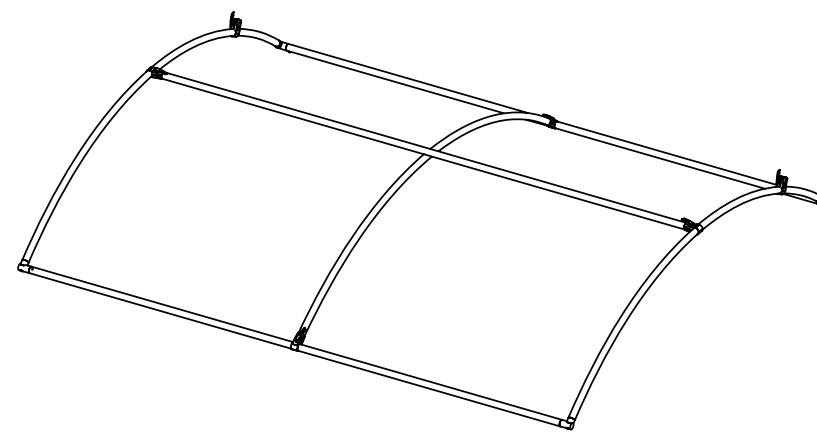


Tighten connector by rotating lever to the right & locking it down.

Note: If the lever is in an undesirable Location after it has been locked down it can be rotated to a different position. This may require some added force.

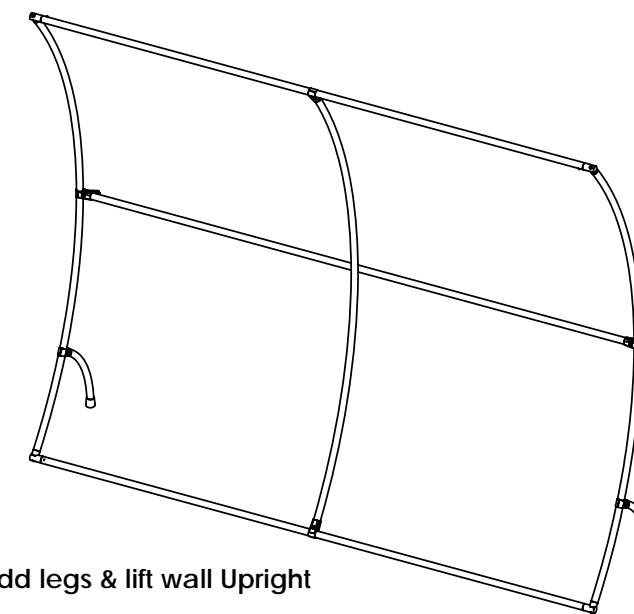
1. Build Back Wall frame on flat Floor Face Down

- * Snap fit all shock corded parts before assembly.
- * Snap fit together (2) 111.71" straight bars w/ connectors in middle & (2) 100.73" curved bars w/ 2 connectors attached, to make outer frame.
- * Secure (1) 98.50" long curved cross bar & (1) 111.71" straight cross bar using connectors attached to outer frame.
- * Assure that straight cross bar passes above curved cross bar
- * Make sure connectors **ARE LOCKED TIGHT**.



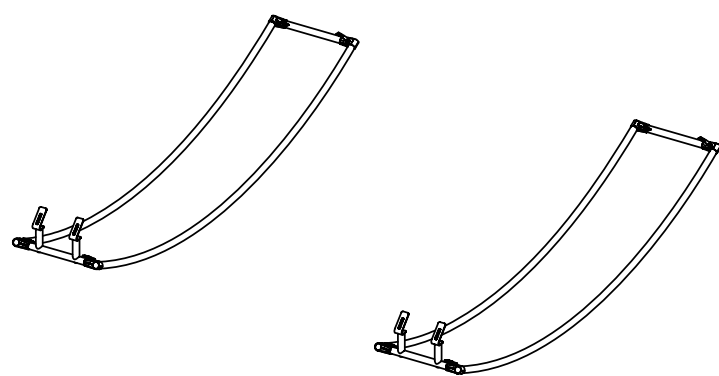
2. Zip Cover over Frame

- * Graphic is on concave (inside) of curve.
- * Properly POSITION ALL CORNERS before zipping closed.
- * Make adjustments in cover position with wall laying flat & cover unzipped.
- * To avoid wearing holes in the fabric cover - DO NOT DRAG WALL.



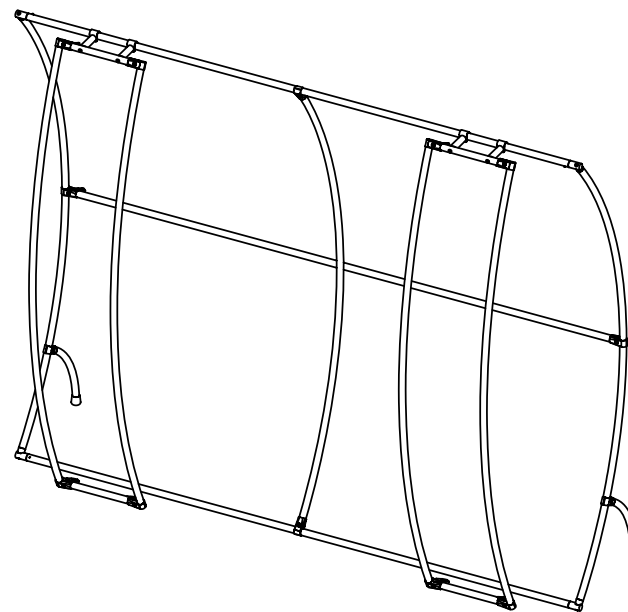
3. Add legs & lift wall Upright

- * Secure foot bar to frame thru openings in cover using connector attached to frame.
- * **Lift wall from middle of top bar**, If wall twists, lay flat on ground, correct shape, and re-lift.
- * Remove any small wrinkles with a hand steamer.



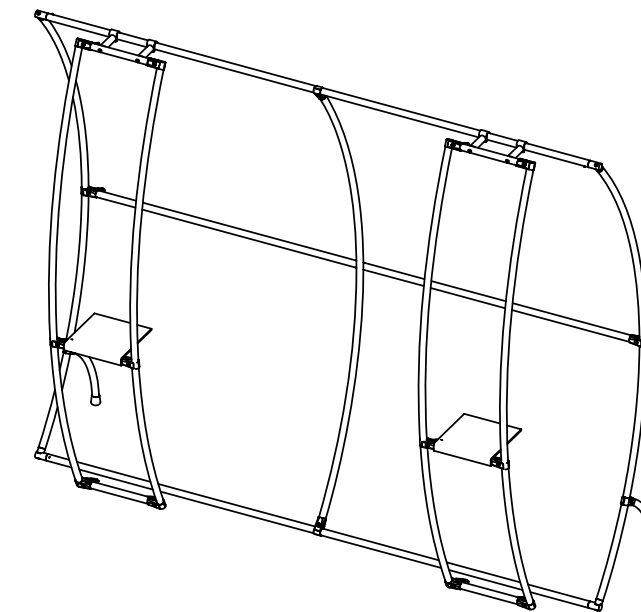
4. Build stand off frame on flat Floor Face Down

- * Attach (2) 98.50" curved bars to (1) 31.50" straight bar. Assure curved bars are **parallel** to each other.
- * Secure (1) 31.50" straight bar with Sure lock assembly to top of stand off. **Lock connectors tight**
- * Apply rollable lambda graphic to back side of bars (if included).



5. Hang Standoff on Back Wall

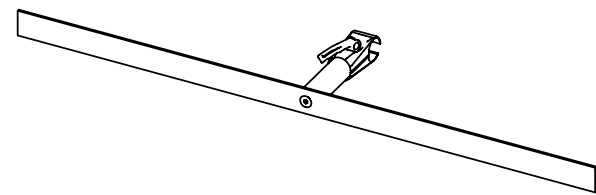
- * Secure stand off to back wall. **Top bar on stand off must be parallel to top bar on back wall to assure a correct fit.**
- * Sure lock connectors go over top of back wall and clips over fabric
- * Adjust standoff height by loosening top and/or bottom stand off connectors and changing vertical height.
- * Make sure connectors ARE LOCKED TIGHT.



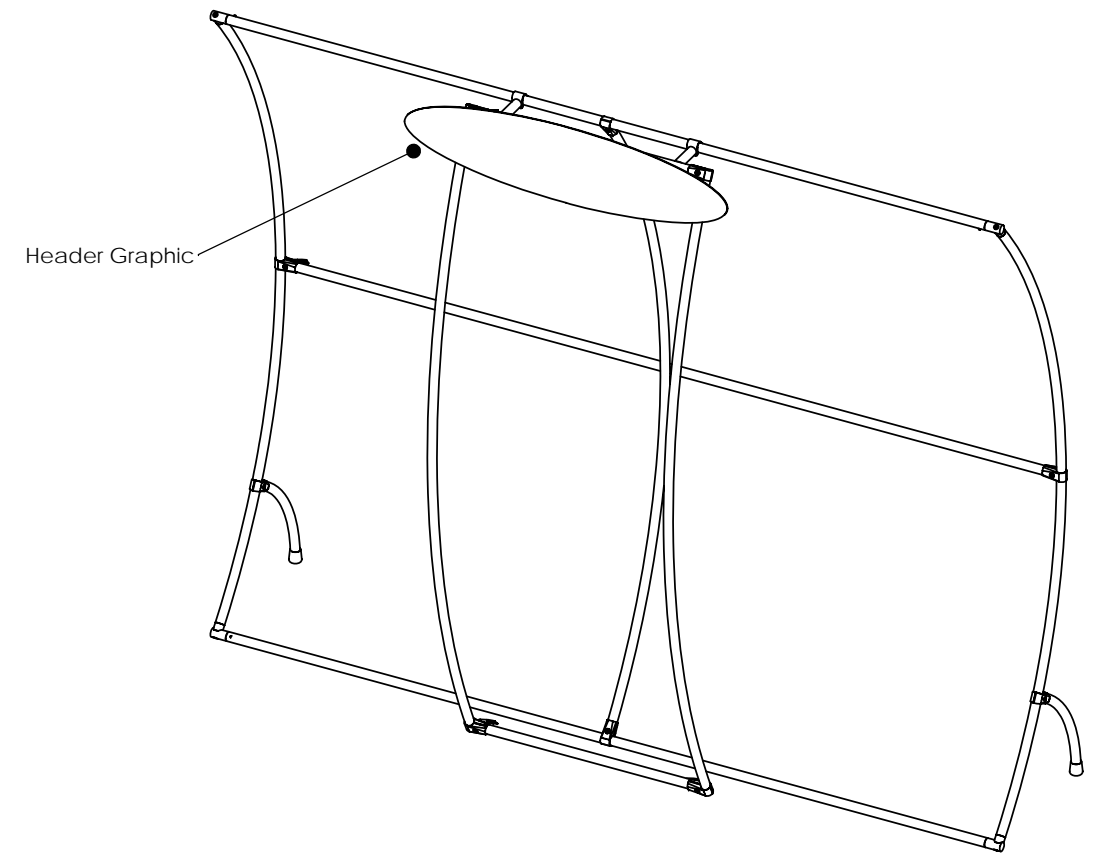
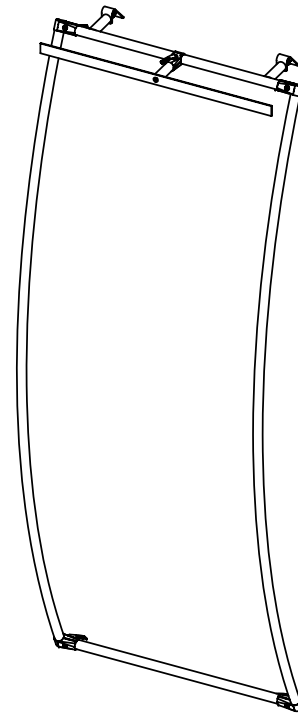
6. Add Shelf to Wall

- * Shelf connectors clamp over side bars of stand off. Loosen connector to fit over bar. Rest acrylic on top of shelf bars.
- * **LOCK SHELF CONNECTORS TIGHT!**

Not Enough Parts - See parts list on front page
 Fabric Cover Not Fit - Assure all 4 corners of cover are positioned over frame corners before starting to zip cover closed.
 Hard to adjust cover - Cover position on frame is easily adjusted when cover is NOT ZIPPED. It is easiest to adjust cover by pulling on un-zipped sides of fabric.
 Frame mis-shaped - Make sure connectors are very tight. Frame warp can be easily corrected by laying structure flat face down on the floor and lifting upright from both sides.
 Wrinkles in cover - Use a hand steamer to remove small wrinkles. Adjust cover position for large wrinkles.



Header bracket



Notes:

1. Secure Header bracket with 1 Quick lock connector as shown.
2. Header Bracket can be adjusted for desired positioning.
3. **LOCK CONNECTOR TIGHT!**
4. Add graphic using Velcro.

Parts List:

For one unit shown:

- (1) Assembled Standoff
- (1) Assembled Back wall
- (1) Header Bracket
- (1) Header Graphic

(3640)Header Bracket

ENTASI

